

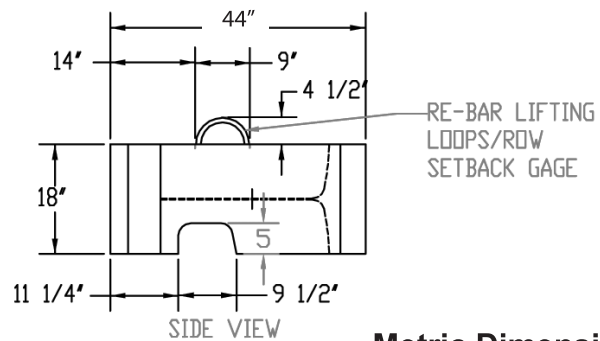
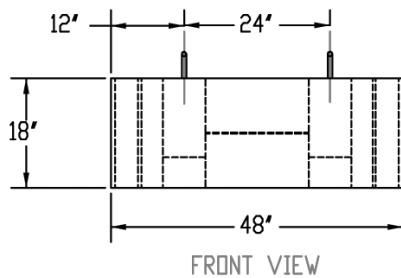
6SF Block

Block Wt. = 1,600 lbs

Form Wt. = 1,800 lbs

Concrete Volume = 0.4 cu. yds.

Rock In-fill for installation ~ 0.33 cu. yds.



Metric Dimensions (m)

1.22x0.46x1.1

Metric Weight (kg)

680

