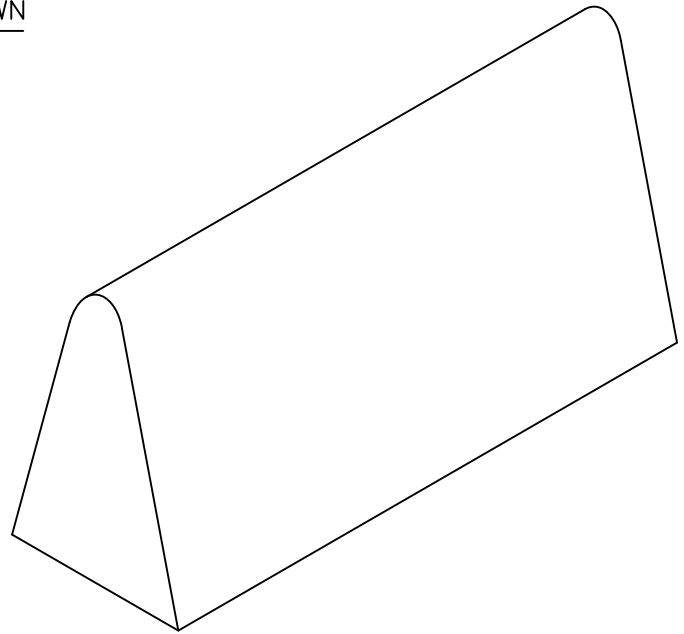
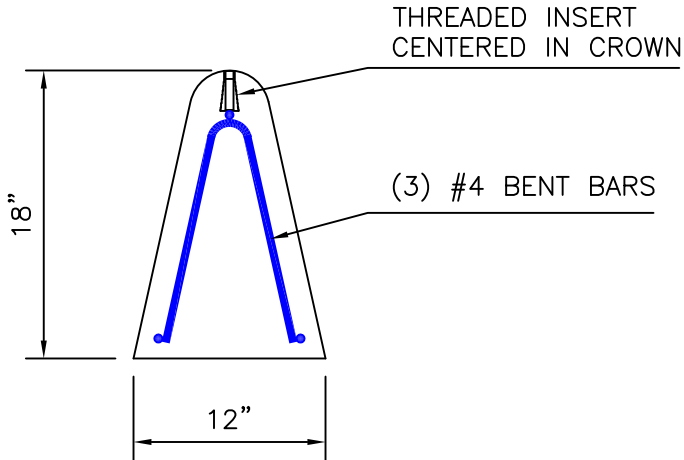
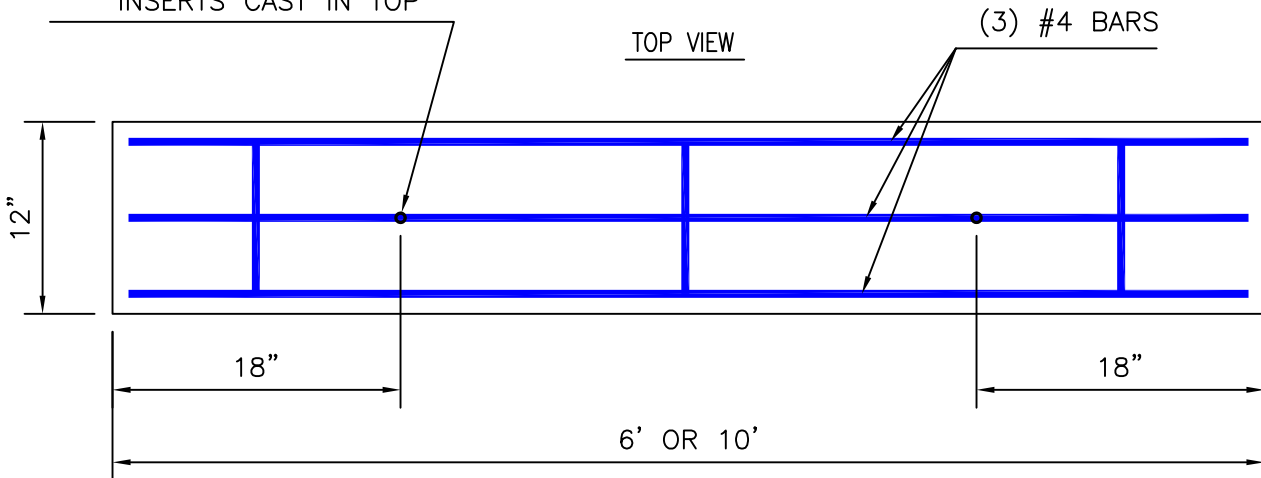


SIDE VIEW



(2) WILLIAMS CONCRETE
IN-050 PLASTIC THREADED
INSERTS CAST IN TOP

TOP VIEW



NOTES:

1. 1" CLEARANCE OVER ALL REINFORCING.
2. CUSTOM SIZES ARE AVAILABE UPON REQUEST.
3. RADIUS AT TOP APPROX. 2.5"

OTHER APPLICATIONS:

- VEHICLE PARKING
- BUILDING PROTECTION
- BARRIERS
- WATER VELOCITY REDUCTION

ADVANTAGE PRECAST INC.

1302 Candlewood Dr N Voice: (503) 390-2048
 Keizer, Oregon 97303 Fax: (503) 390-1645
www.advantageprecast.com

"A Locally Owned Small Business, Where Service Comes First."



LARGE BUMPER PAD / FLOW SPREADER

Concrete: 4000psi +

Weight: Approx. 1000 lb.

DATE:

Oct. 2008