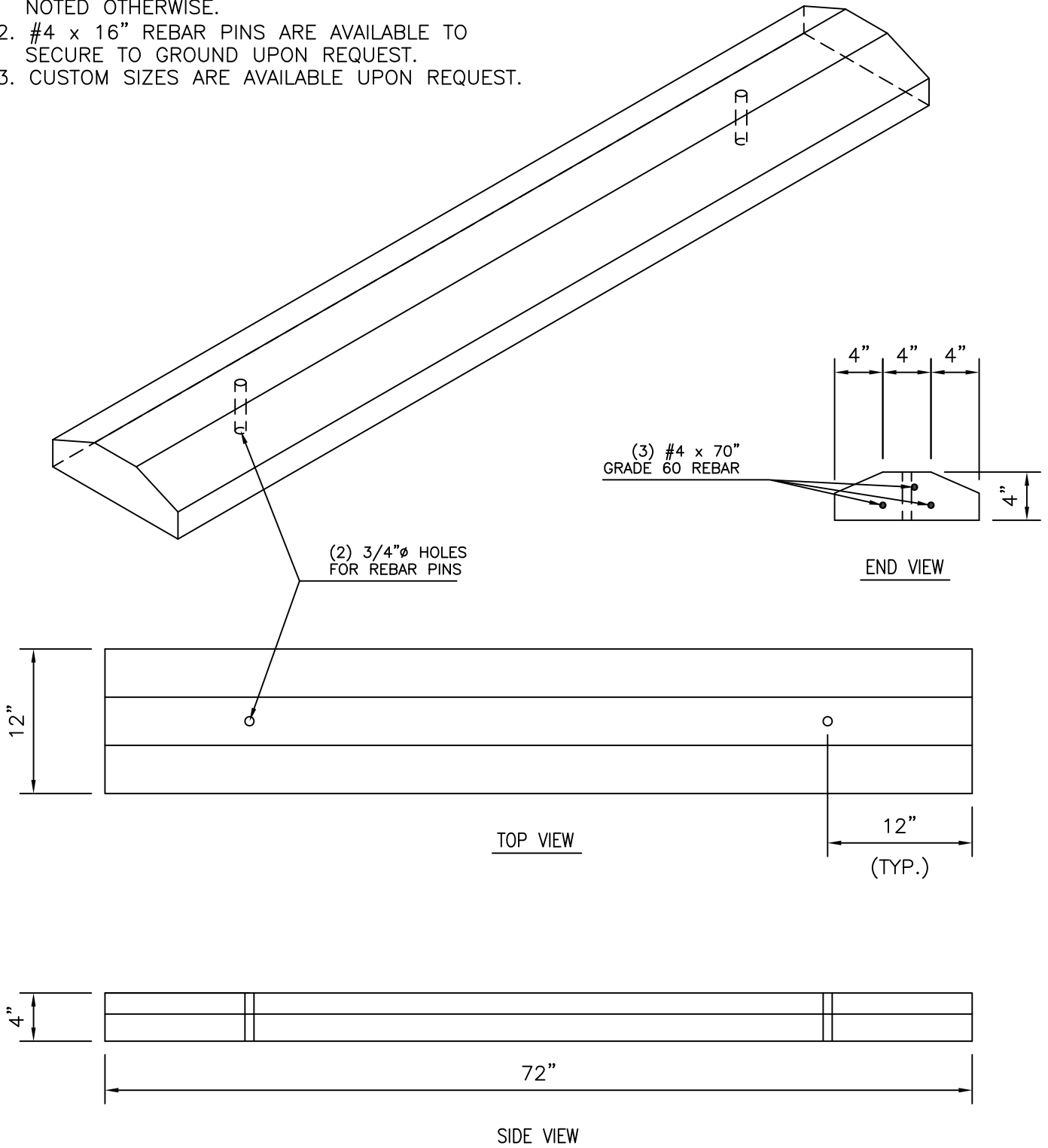


NOTES:

1. PROVIDE 1" MIN. CLR. OVER ALL REINF. UNLESS NOTED OTHERWISE.
2. #4 x 16" REBAR PINS ARE AVAILABLE TO SECURE TO GROUND UPON REQUEST.
3. CUSTOM SIZES ARE AVAILABLE UPON REQUEST.



**ADVANTAGE PRECAST** INC.

1302 Candlewood Dr N      Voice: (503) 390-2048  
 Keizer, Oregon 97303      Fax: (503) 390-1645  
[www.advantageprecast.com](http://www.advantageprecast.com)

"A Locally Owned Small Business, Where Service Comes First."



**LOW PROFILE  
 MEDIAN BARRIER**

Concrete: **4000psi +**  
 Weight: Approx. 220 lb.

DATE:  
**July 2009**