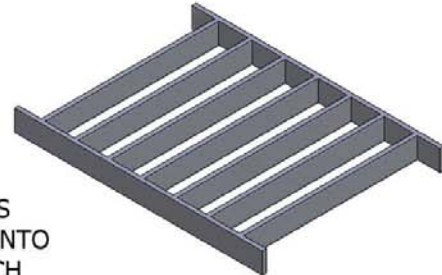
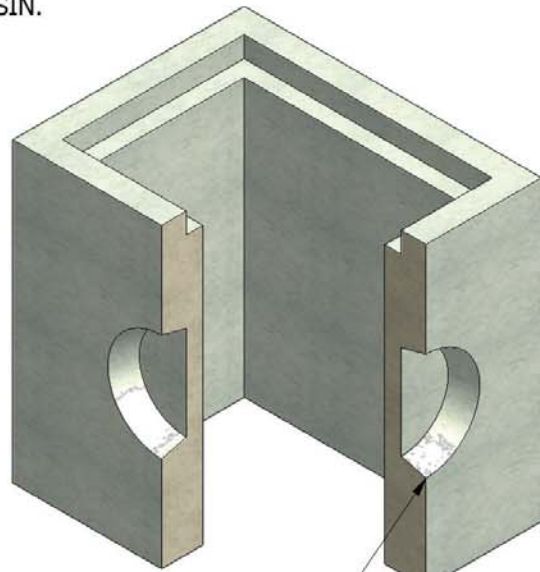
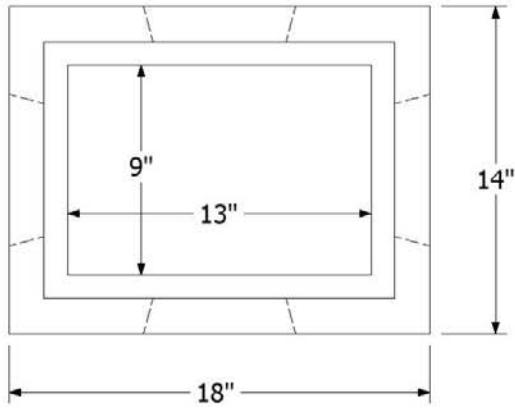


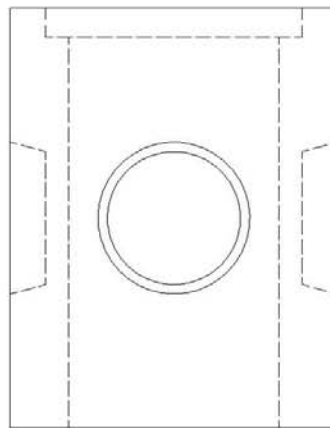
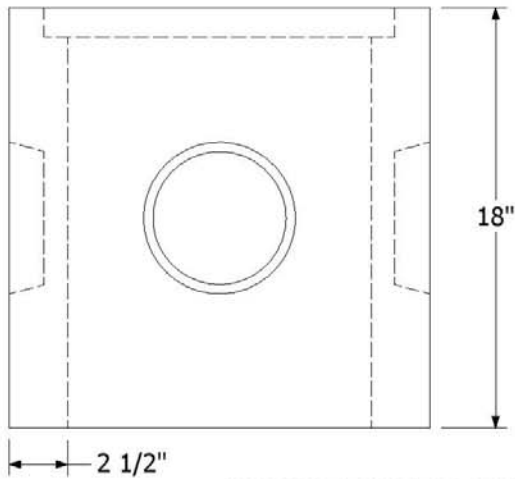
GRATE
WELDED STEEL FLATBAR



GRATE IS
RECESSED INTO
THE CATCH
BASIN.



6 1/2"Ø KNOCKOUT
ALL (4) SIDES



PRIVATE DUTY CATCH BASIN

**RECOMENDED
FOR NON-TRAFFIC
AREAS**

ADVANTAGE PRECAST I. N. C.

1302 Candlewood Dr N Voice: (503) 390-2048
Keizer, Oregon 97303 Fax: (503) 390-1645
<http://www.AdvantagePrecast.com>

"A Locally Owned Small Business, Where Service Comes First."



**PRIVATE DUTY
CATCH BASIN**

Concrete: **4000psi +**
Weight: **Approx. 150 lbs.**

DATE:
Oct. 2006