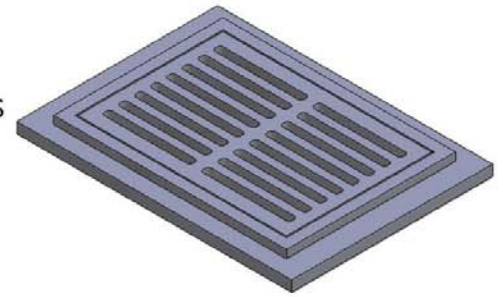
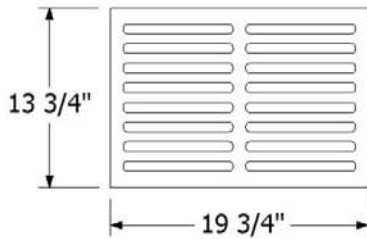


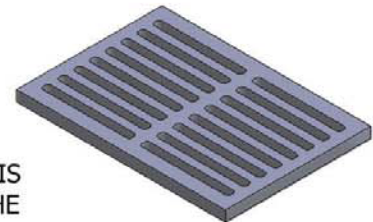
OPTIONAL F+G SET IS PLACED ABOVE THE CATCH BASIN.



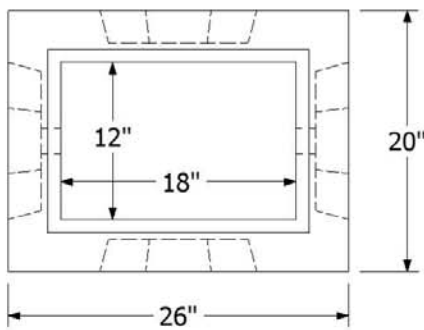
OPTIONAL F+G SET



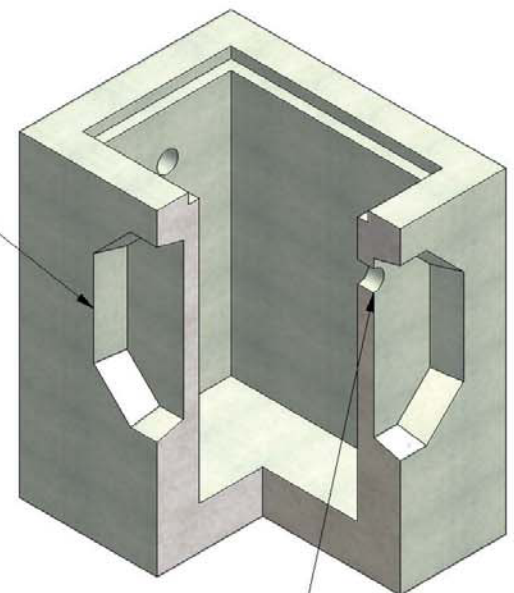
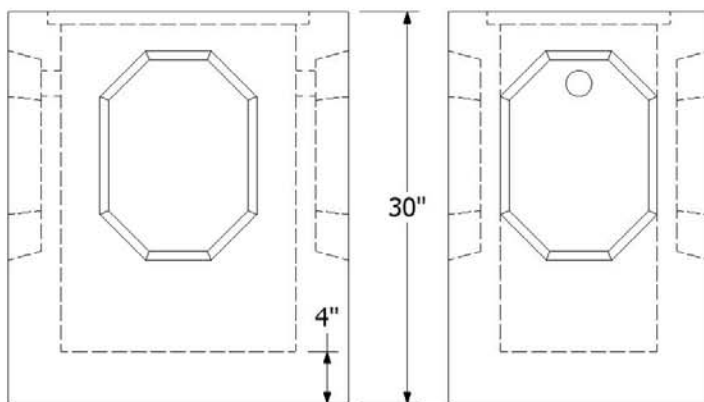
STANDARD GRATE IS RECESSED INTO THE CATCH BASIN.



STANDARD GRATE



12" x 16" KNOCKOUTS ALL (4) SIDES



2 - 2" LIFT HOLES OPPOSITE SIDES

GRATE ONLY H10 RATED
FRAME & GRATE H20 RATED

T40 CATCH BASIN

ADVANTAGE PRECAST I N C.

1302 Candlewood Dr N Voice: (503) 390-2048
Keizer, Oregon 97303 Fax: (503) 390-1645

<http://www.AdvantagePrecast.com>

"A Locally Owned Small Business, Where Service Comes First."



**WASH T40
CATCH BASIN**

Concrete: **4000psi +**

Weight: **Approx. 700 lbs**

DATE:

Oct. 2006