

CAST IRON FRAME AND COVERS ARE AVAILABLE IN A 3" SUBURBAN AND 7" STANDARD.

GRADE RING HEIGHTS ARE 2", 3", 4" AND 6".

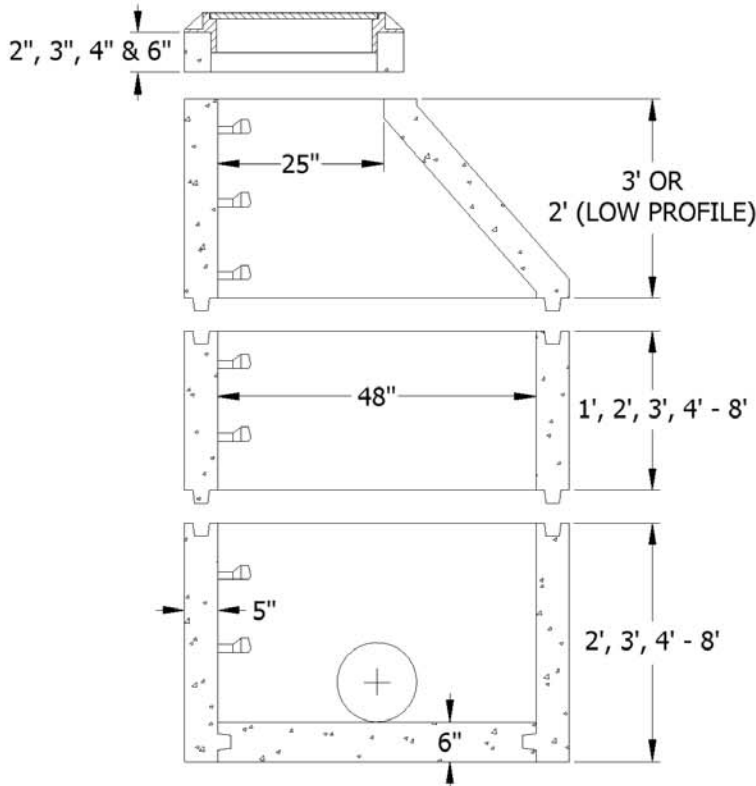
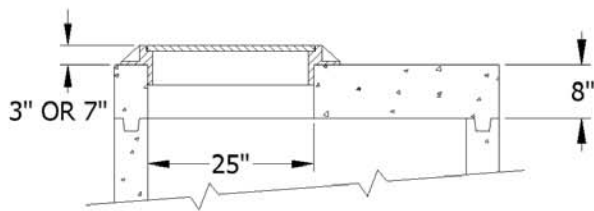
CONE OR FLAT TOP OPTIONAL.

FLAT TOP SLABS COME WITH OPENINGS OFFSET TO ONE SIDE OR CENTERED IN SLAB.

PRECAST SECTIONS

SECTIONS ARE AVAILABLE IN HEIGHTS OF 1' THROUGH 8'.

STEEL REINFORCED POLYPROPYLENE STEPS ARE INSTALLED AS REQUIRED.



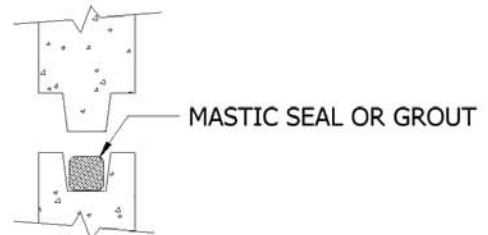
BASE SECTIONS

BASE SECTIONS ARE AVAILABLE IN HEIGHTS OF 2' THROUGH 8'.

SPECIAL KNOCKOUTS OR CUTOUTS ARE MANUFACTURED TO ORDER.

ALL SECTIONS MEET OR EXCEED ASTM C478.

KEYLOCK JOINT



ADVANTAGE PRECAST ^IN.C.

1302 Candlewood Dr N Voice: (503) 390-2048
 Keizer, Oregon 97303 Fax: (503) 390-1645
<http://www.AdvantagePrecast.com>

"A Locally Owned Small Business, Where Service Comes First."



48" KEYLOCK MANHOLE

Concrete: **4000psi +**

Weight: **880 lbs/ft.**

DATE:

Oct. 2007