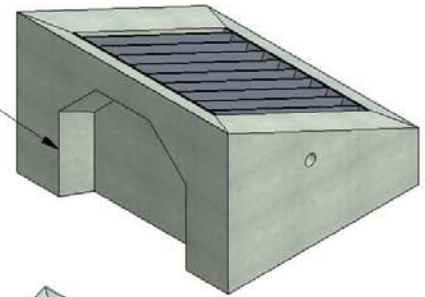
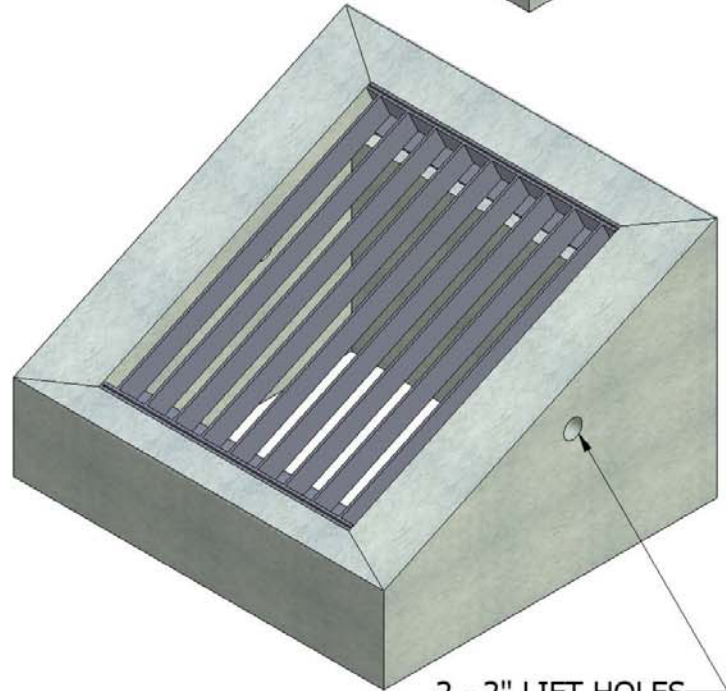


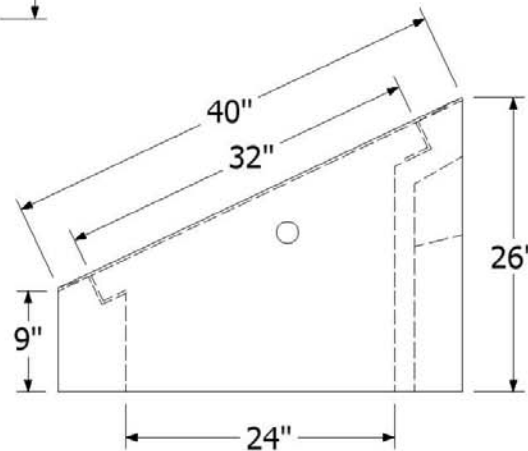
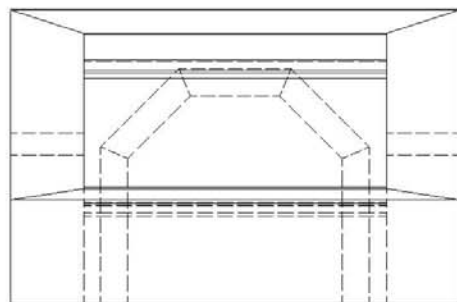
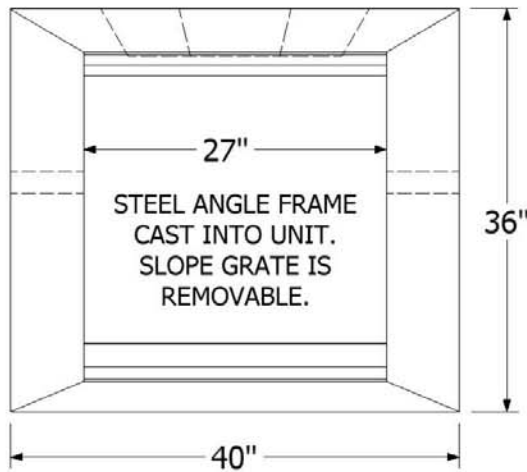
BACK OF UNIT EQUIPPED
W/ (1) 24 x 21" KNOCKOUT
FLUSH TO BOTTOM



STANDARD DITCH INLET GRATE: 1/4" F.B.
C.O. SALEM GRATE: 1/4" F.B. (GALVANIZED)
O.D.O.T. GRATE: 5/8" F.B.



2 - 2" LIFT HOLES
OPPOSITE SIDES



NOTES:
4", 6" & 12" RISERS
AVAILABLE.

G-2 C.B. BASE
AVAILABLE IF
DESIRED (2600 lbs)

(SALEM T3)

ADVANTAGE PRECAST INC.

1302 Candlewood Dr N Voice: (503) 390-2048
Keizer, Oregon 97303 Fax: (503) 390-1645
<http://www.AdvantagePrecast.com>

"A Locally Owned Small Business, Where Service Comes First."



O.D.O.T. 30° SLOPE DITCH INLET

Concrete: **4000psi +**
Weight: **Approx. 1000 lbs.**

DATE:
Oct. 2006