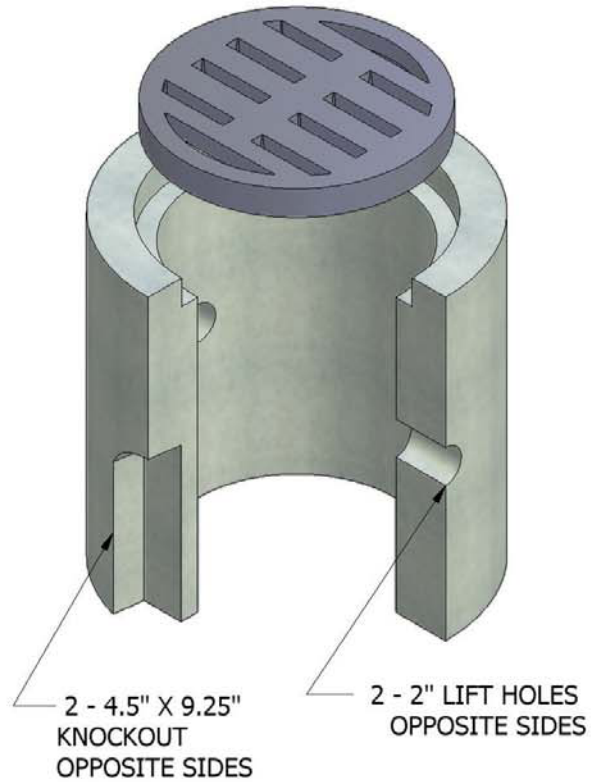
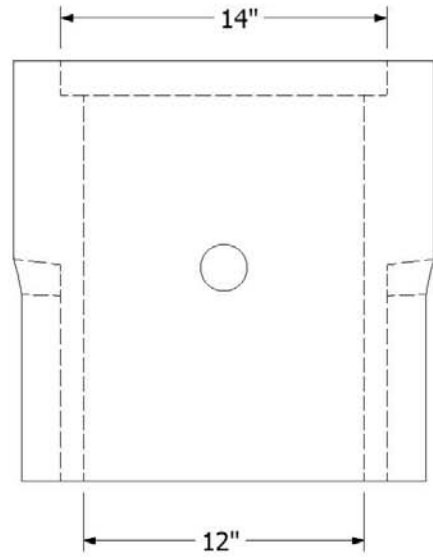
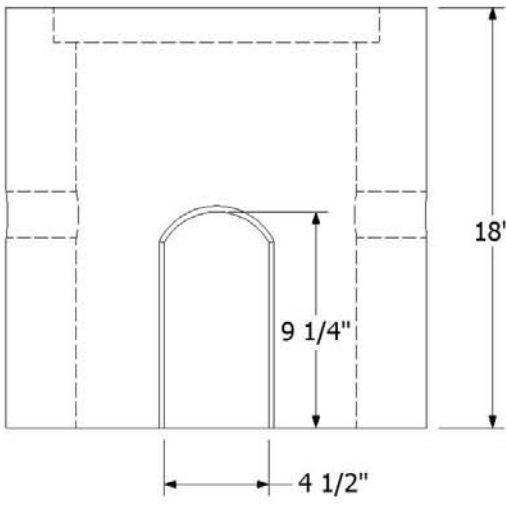
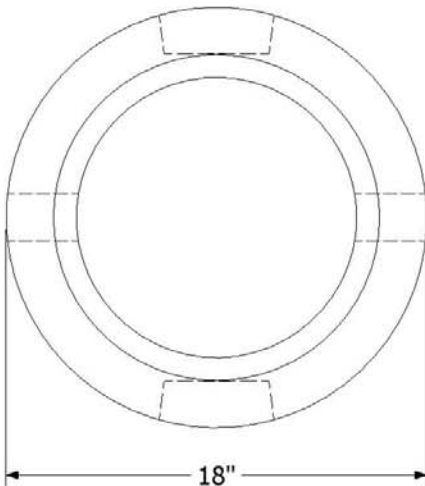


CAST GRATE
SOLID COVER AVAILABLE



2 - 4.5" X 9.25"
KNOCKOUT
OPPOSITE SIDES

2 - 2" LIFT HOLES
OPPOSITE SIDES



ADVANTAGE PRECAST I N C.

1302 Candlewood Dr N Voice: (503) 390-2048
Keizer, Oregon 97303 Fax: (503) 390-1645

<http://www.AdvantagePrecast.com>

"A Locally Owned Small Business. Where Service Comes First."



12" AREA DRAIN

Concrete: **4000psi +**
Weight: **Approx. 200 lbs.**

DATE:
Oct. 2006