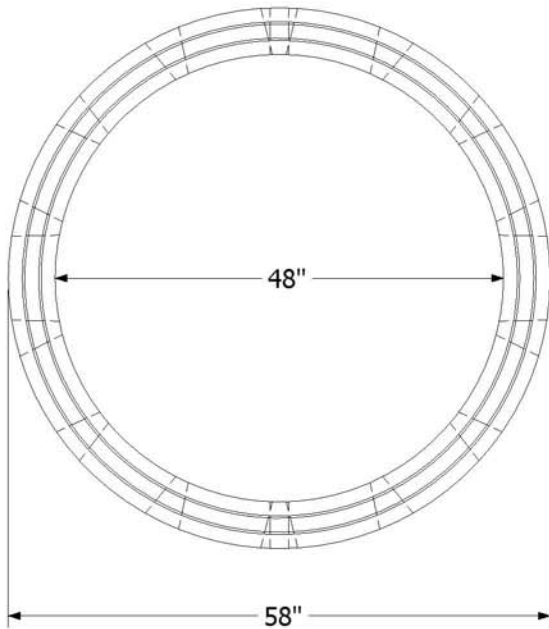
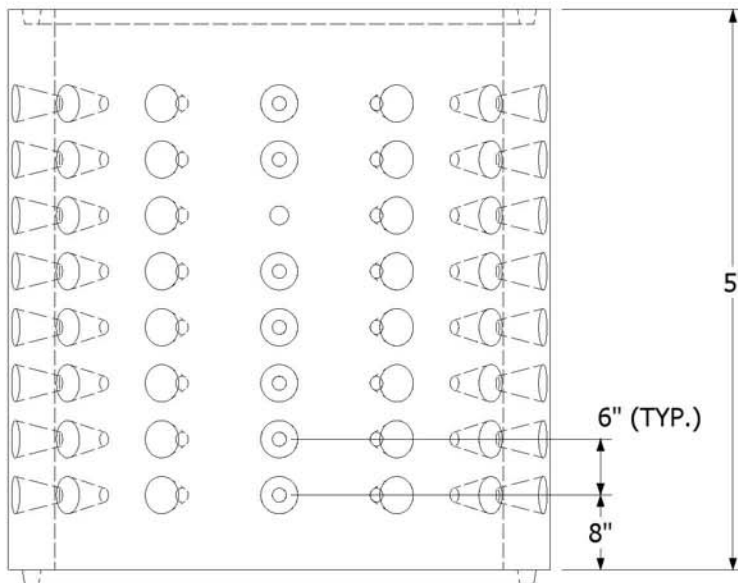


2 - 2" LIFT HOLES  
(OPPOSITE SIDES)



110 - 4" x 1 1/2" TAPERED HOLES  
(14 VERTICAL ROWS OF 8 HOLES  
EACH, EVENLY DISTRIBUTED  
EXCEPT AT 2 LIFT HOLES).  
TOTAL HOLES = 112.



## ADVANTAGE PRECAST I N C.

1302 Candlewood Dr N      Voice: (503) 390-2048  
Keizer, Oregon 97303      Fax: (503) 390-1645  
<http://www.AdvantagePrecast.com>

"A Locally Owned Small Business, Where Service Comes First."



## 48" PERFORATED MANHOLE (DRYWELL)

Concrete: **4000psi +**  
Weight: **Approx. 4000 lbs.**

DATE:  
Oct. 2007