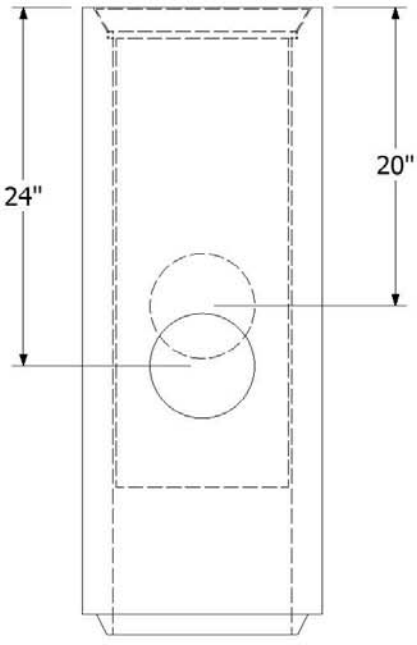
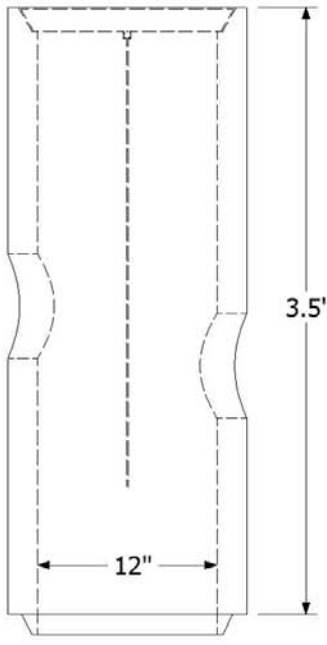
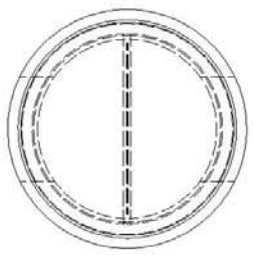
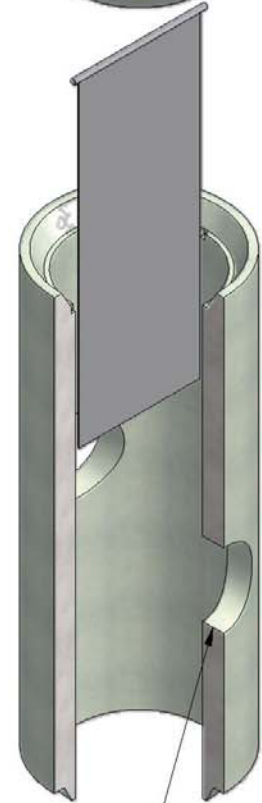


BAFFLE PLATE
(ASPHALT COATED)



12" ϕ x 3.5' T&G PIPE
(ASTM C14-C3)

12" CONCRETE LID



2 - 7" HOLES
(INCLUDED IN STOCK UNIT)

(C.O.S. STD.)

ADVANTAGE PRECAST I N C.

1302 Candlewood Dr N Voice: (503) 390-2048
Keizer, Oregon 97303 Fax: (503) 390-1645

<http://www.AdvantagePrecast.com>

"A Locally Owned Small Business, Where Service Comes First."



TRASH TRAP

Concrete: **4000psi +**
Weight: **Approx. 300 lbs.**

DATE:
Oct. 2006