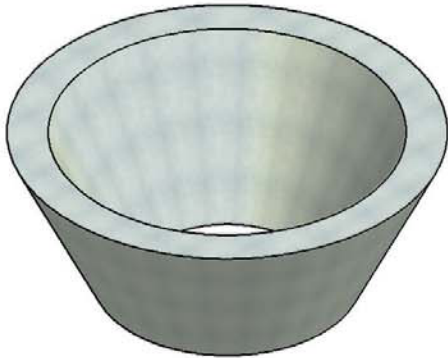


48" SQUARE

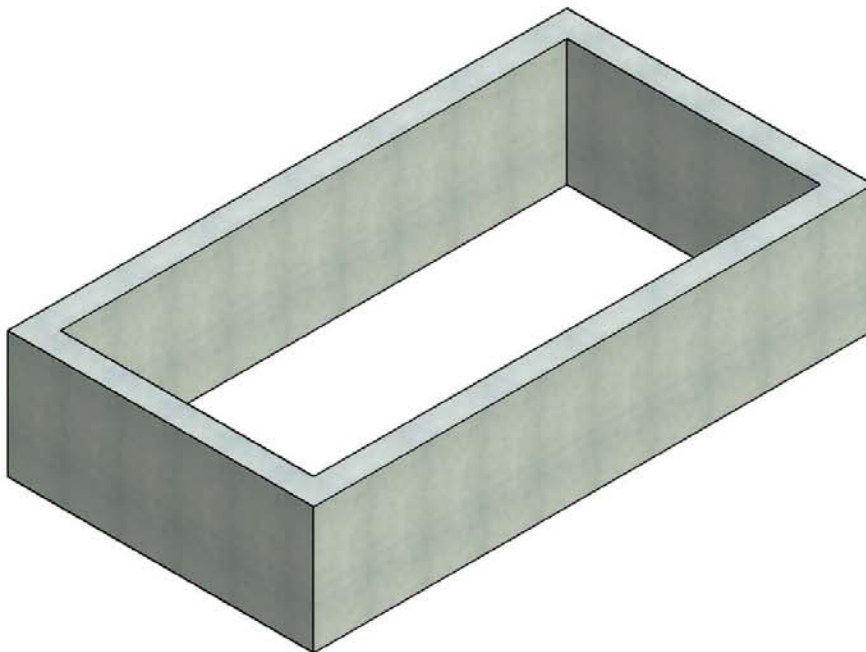


48" x 25" x 24" CONICAL



48" x 24" CYLINDER

(ALSO AVAILABLE IN
1' TO 12' DIAMETERS
AND 1' TO 4' HEIGHTS)



48" x 96" x 24" RECTANGLE

NOTES:

- ALL SIZES REFLECT INSIDE DIMENSIONS.
- AVAILABLE WITH OPTIONAL FLOORS.

ADVANTAGE PRECAST I
N
C.

1302 Candlewood Dr N Voice: (503) 390-2048
Keizer, Oregon 97303 Fax: (503) 390-1645
<http://www.AdvantagePrecast.com>

"A Locally Owned Small Business, Where Service Comes First."



PLANTERS

Concrete: **4000psi +**
Weight:

DATE:
Oct. 2006