

STANDARD CAST IRON FRAME AND COVERS ARE AVAILABLE IN A 3" SUBURBAN AND 7" STANDARD.

GRADE RING HEIGHTS: 2", 3", 4" AND 6".

REDUCING FLAT TOP SLABS ARE AVAILABLE FOR REDUCING TO A 48" MANHOLE OR 25" OPENING FOR MANHOLE FRAME AND COVER.

## PRECAST SECTIONS

SECTIONS ARE AVAILABLE IN HEIGHTS OF 1' THROUGH 8'.

STEEL REINFORCED POLYPROPYLENE STEPS ARE INSTALLED AS REQUIRED.

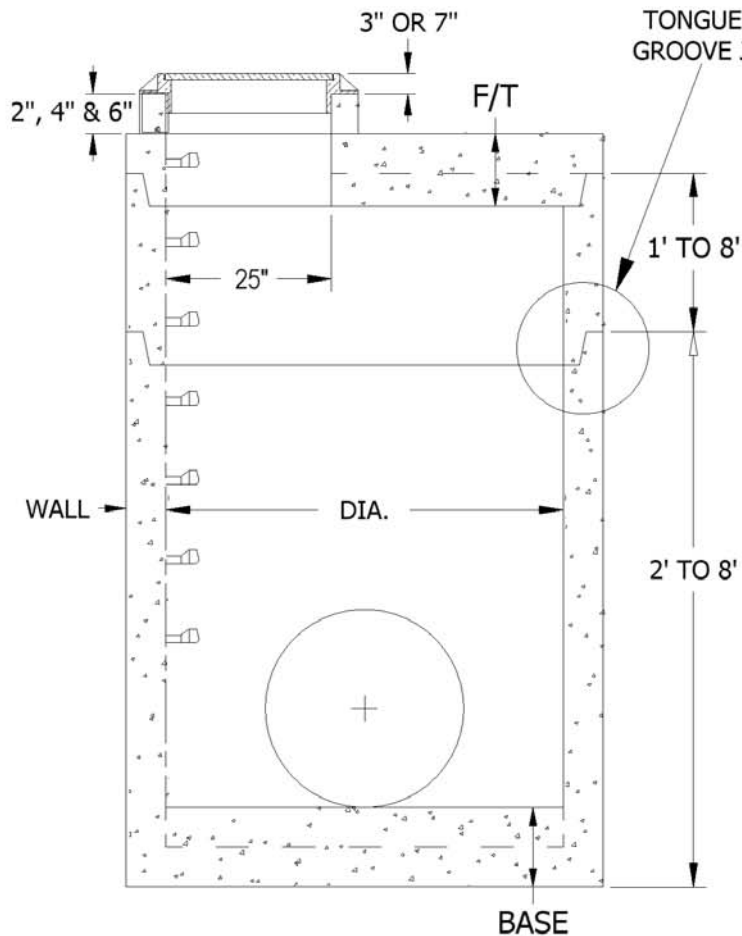
LIFT HOLES IN SECTION AND LOOPS IN BASE AND FLAT TOP.

## BASE SECTIONS

BASE SECTIONS ARE AVAILABLE IN 2' THROUGH 8' HEIGHTS.

SPECIAL KNOCKOUTS OR CUTOUTS ARE MANUFACTURED TO ORDER.

ALL SECTIONS MEET OR EXCEED ASTM C478.



DIMENSIONS				J.S. ROLLS
DIA.	WALL	BASE	F/T	PER JOINT
54"	5 1/2"	8"	9"	1.0
60"	6"	8"	9"	1.5
72"	7"	8"	10"	1.5
84"	8"	10"	10"	2.0
96"	9"	10"	12"	2.0
108"	10"	12"	12"	2.0
120"	11"	18"	18"	2.5

WEIGHTS			
DIA.	BASE	PER FT	F/T
54"	2000	1180	2300
60"	2700	1500	3000
72"	4000	2000	4800
84"	6000	2400	6600
96"	8200	3000	10,000
108"	12,600	3800	13,000
120"	23,000	4500	24,000

## ADVANTAGE PRECAST

1302 Candlewood Dr N Voice: (503) 390-2048  
Keizer, Oregon 97303 Fax: (503) 390-1645

<http://www.AdvantagePrecast.com>

"A Locally Owned Small Business, Where Service Comes First."



## OVERSIZE MANHOLE

(54", 60", 72", 84", 96", 108" & 120")

Concrete: **4000psi +**

Weight: **SEE TABLE 'A'**

DATE:

Oct. 2007