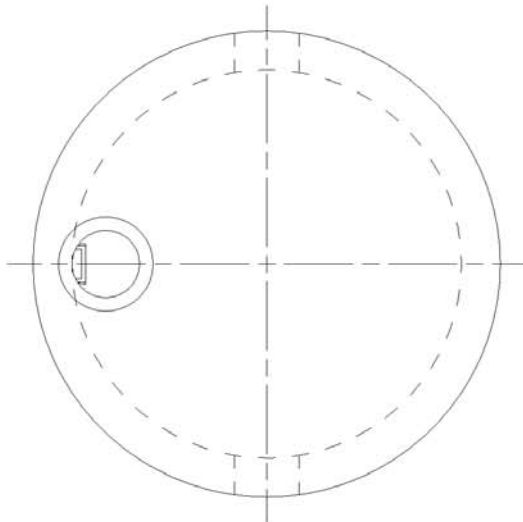


CAST IRON FRAME AND COVERS ARE AVAILABLE IN A 3" SUBURBAN AND 7" STANDARD.

GRADE RING HEIGHTS: 2", 3", 4" AND 6".

REDUCING FLAT TOP SLABS ARE AVAILABLE FOR REDUCING TO A 48" MANHOLE OR 25" OPENING FOR MANHOLE FRAME AND COVER.



## PRECAST SECTIONS

SECTIONS ARE AVAILABLE IN HEIGHTS OF 2' THROUGH 8'.

STEEL REINFORCED POLYPROPYLENE STEPS ARE INSTALLED AS REQUIRED.

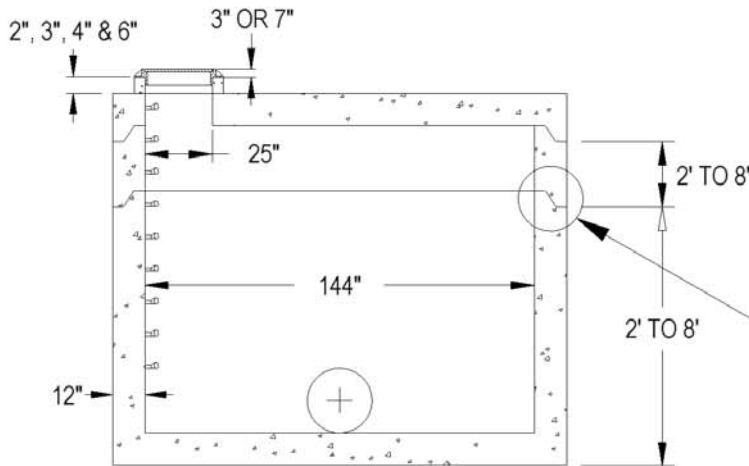
LIFT HOLES IN SECTIONS.  
LOOPS IN BASE AND F/T

## BASE SECTIONS

BASE SECTIONS ARE AVAILABLE IN 2' THROUGH 8' HEIGHTS.

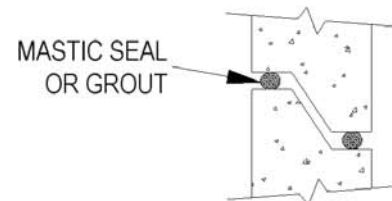
SPECIAL KNOCKOUTS OR CUTOUTS ARE MANUFACTURED TO ORDER. (SHOWN WITH 24" THROUGH AT BASE)

ALL SECTIONS MEET OR EXCEED ASTM C478.



NORMAL ASTM BASE & F/T THICKNESS AND WEIGHT

## PROFILE TONGUE AND GROOVE JOINT



# ADVANTAGE PRECAST I N C.

1302 Candlewood Dr N Voice: (503) 390-2048  
Keizer, Oregon 97303 Fax: (503) 390-1645

<http://www.AdvantagePrecast.com>

"A Locally Owned Small Business, Where Service Comes First."



## 144" MANHOLE

Concrete: **4000psi +**  
Weight: **5600 lbs/ft.**

DATE:

Oct. 2007