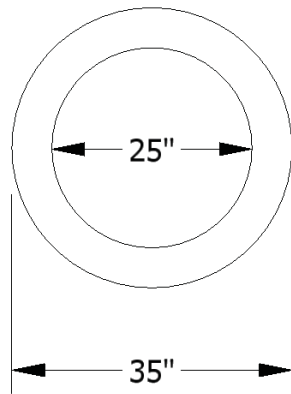
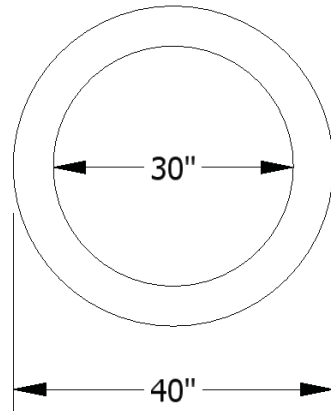


## GRADE RINGS - REINFORCED CONCRETE

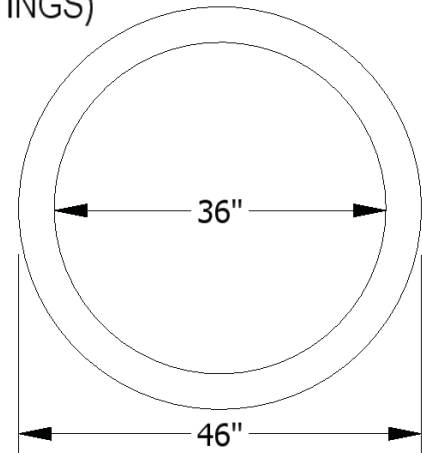
(USED TO ADJUST GRADE UNDER CASTINGS)



STANDARD  
(2", 3", 4", & 6" Ht.)



30" OVERSIZE  
(4", & 6" Ht.)

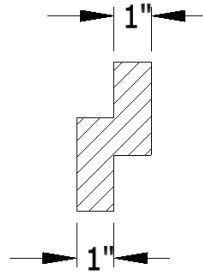
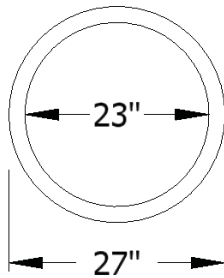


36" OVERSIZE  
(4" & 6" Ht.)

CUSTOM SIZES ARE AVAILABLE UPON REQUEST.  
GRADE RINGS ARE MANUFACTURED IN 4000psi  
CONCRETE WITH DOUBLE D-4 WIRE CAGES.

## PAVING RISERS - CAST IRON

(USED TO ADJUST GRADE OVER CASTINGS)



H20 LOAD RATED

AVAILABLE IN 1 1/8", 1 1/2", 2", 2 1/2", 3", 6" & 10"

## CUSTOM STEEL RISERS

CUSTOM STEEL RISERS ARE AVAILABLE FOR LARGE HEIGHT DIMENSIONS OR  
CUSTOM SIZES. THESE RISERS ARE BUILT TO ORDER WITHIN A FEW DAYS.  
NOT RECOMENDED FOR HEAVY TRUCK TRAFFIC.

### **ADVANTAGE PRECAST** INC.

1302 Candlewood Dr N      Voice: (503) 390-2048  
Keizer, Oregon 97303      Fax: (503) 390-1645  
<http://www.AdvantagePrecast.com>

"A Locally Owned Small Business, Where Service Comes First."



### **MANHOLE ADJUSTMENT RINGS**

Concrete: **4000psi +**

Weight:

DATE:

**Oct. 2007**