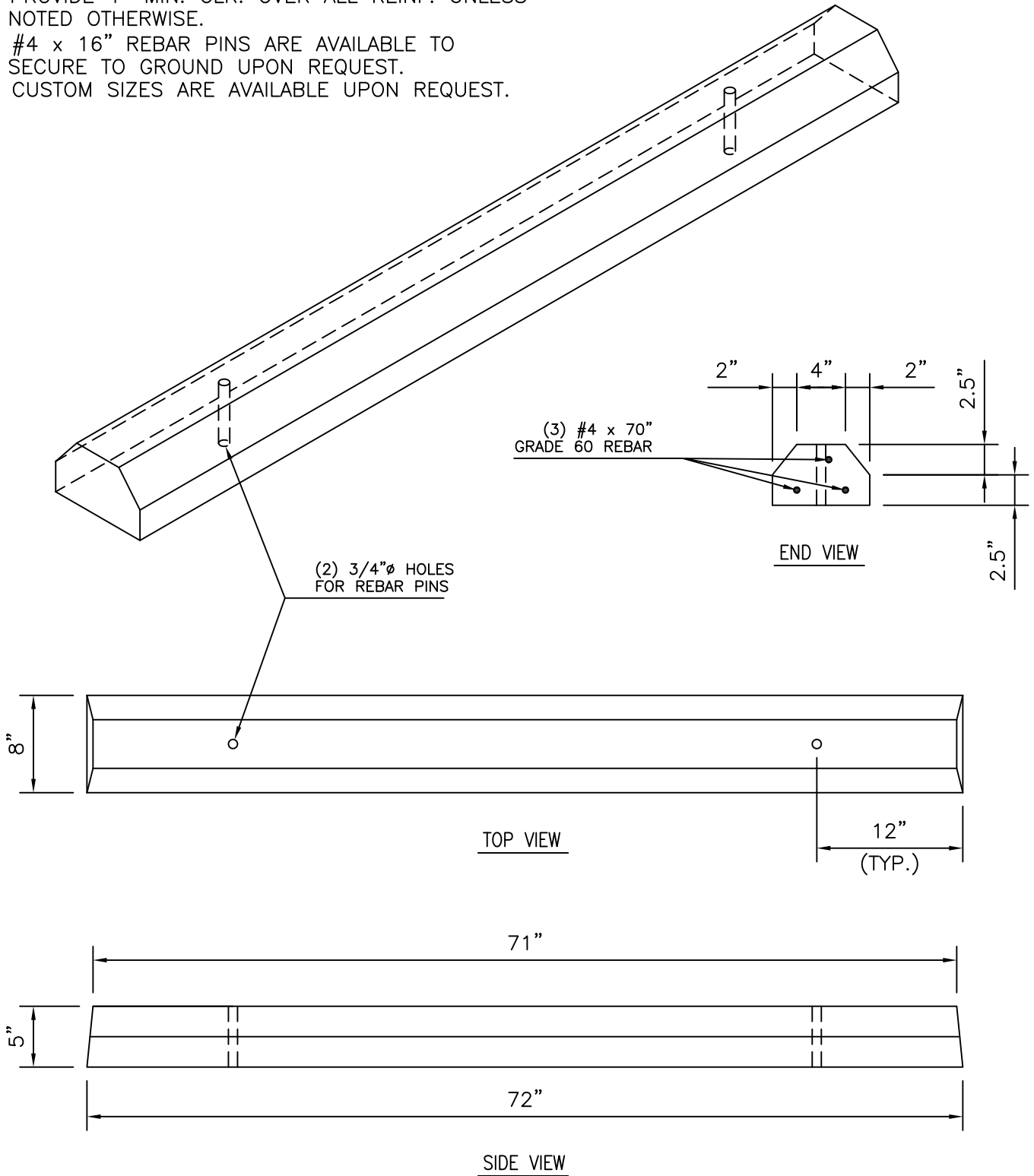


NOTES:

1. PROVIDE 1" MIN. CLR. OVER ALL REINF. UNLESS NOTED OTHERWISE.
2. #4 x 16" REBAR PINS ARE AVAILABLE TO SECURE TO GROUND UPON REQUEST.
3. CUSTOM SIZES ARE AVAILABLE UPON REQUEST.



ADVANTAGE PRECAST I N C.

1302 Candlewood Dr N Voice: (503) 390-2048
 Keizer, Oregon 97303 Fax: (503) 390-1645
www.advantageprecast.com

"A Locally Owned Small Business, Where Service Comes First."



STANDARD BUMPER CURB / WHEEL STOP

Concrete: **4000psi +**
 Weight: Approx. 220 lb.

DATE:
Nov. 2008